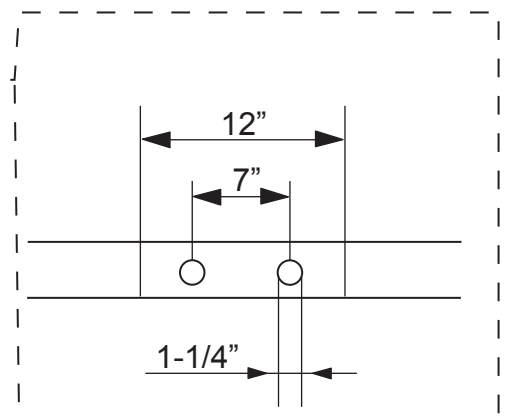
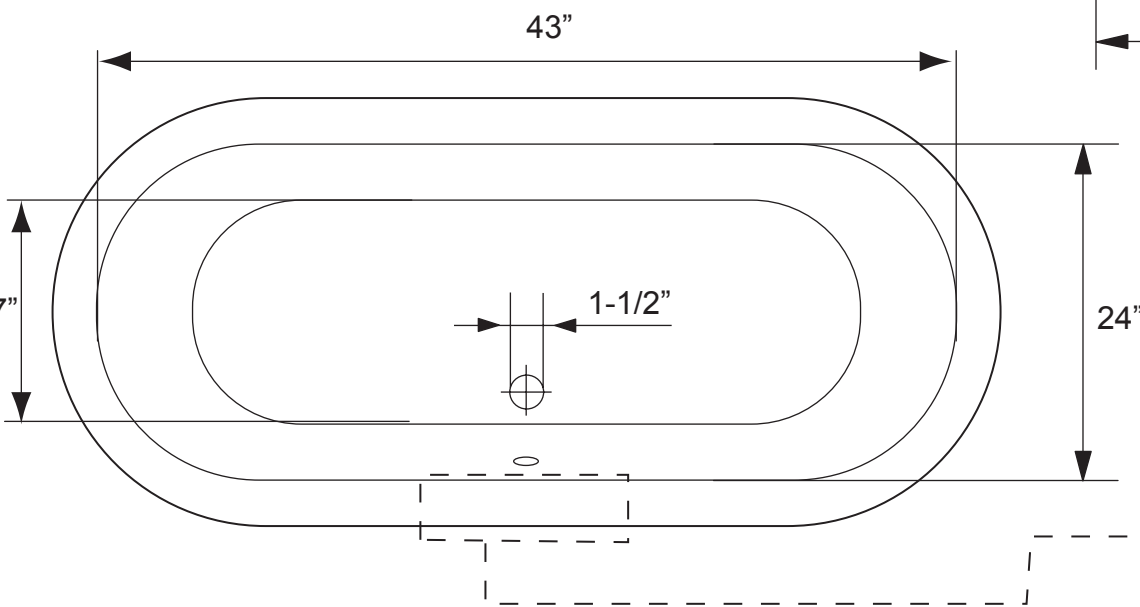
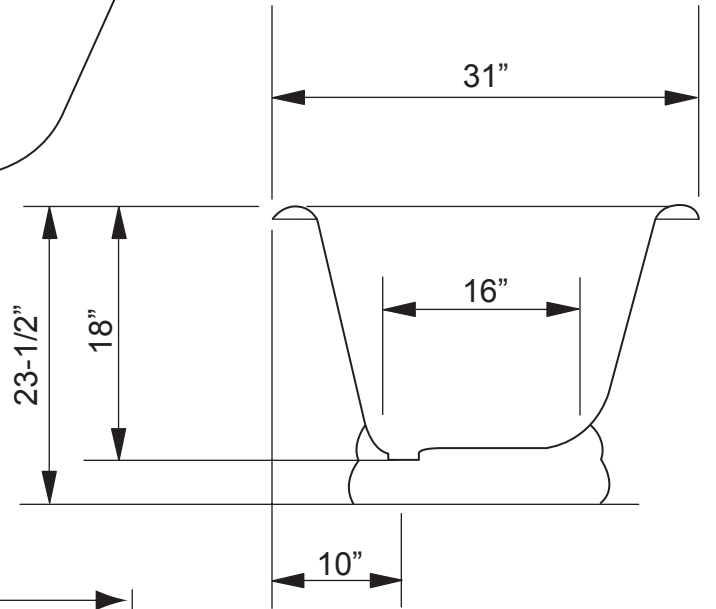
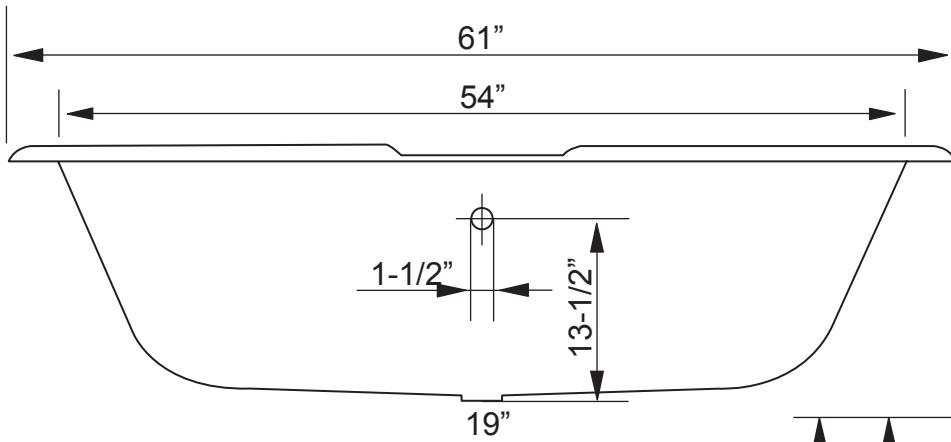
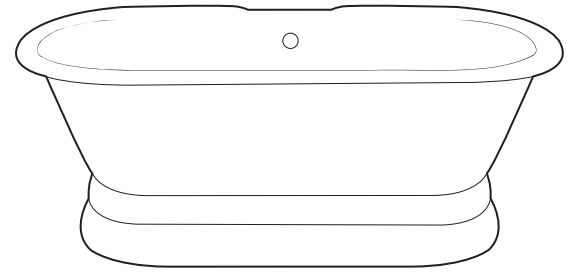


# Cast Iron Dual Tub on Pedestal

Tub Dimensions: 61" L x 31" W x 24" H

Tub water capacity: 40 gallons

Tub Weight Uncrated: 340 lbs. Tub Weight Crated: 520 lbs.



Tub is 18" deep at drain.

Water depth to overflow is 13-1/2" H

Note: Rough -in dimensions may vary +/- 1/2" and are subject to change. All weights and capacities are approximate.