

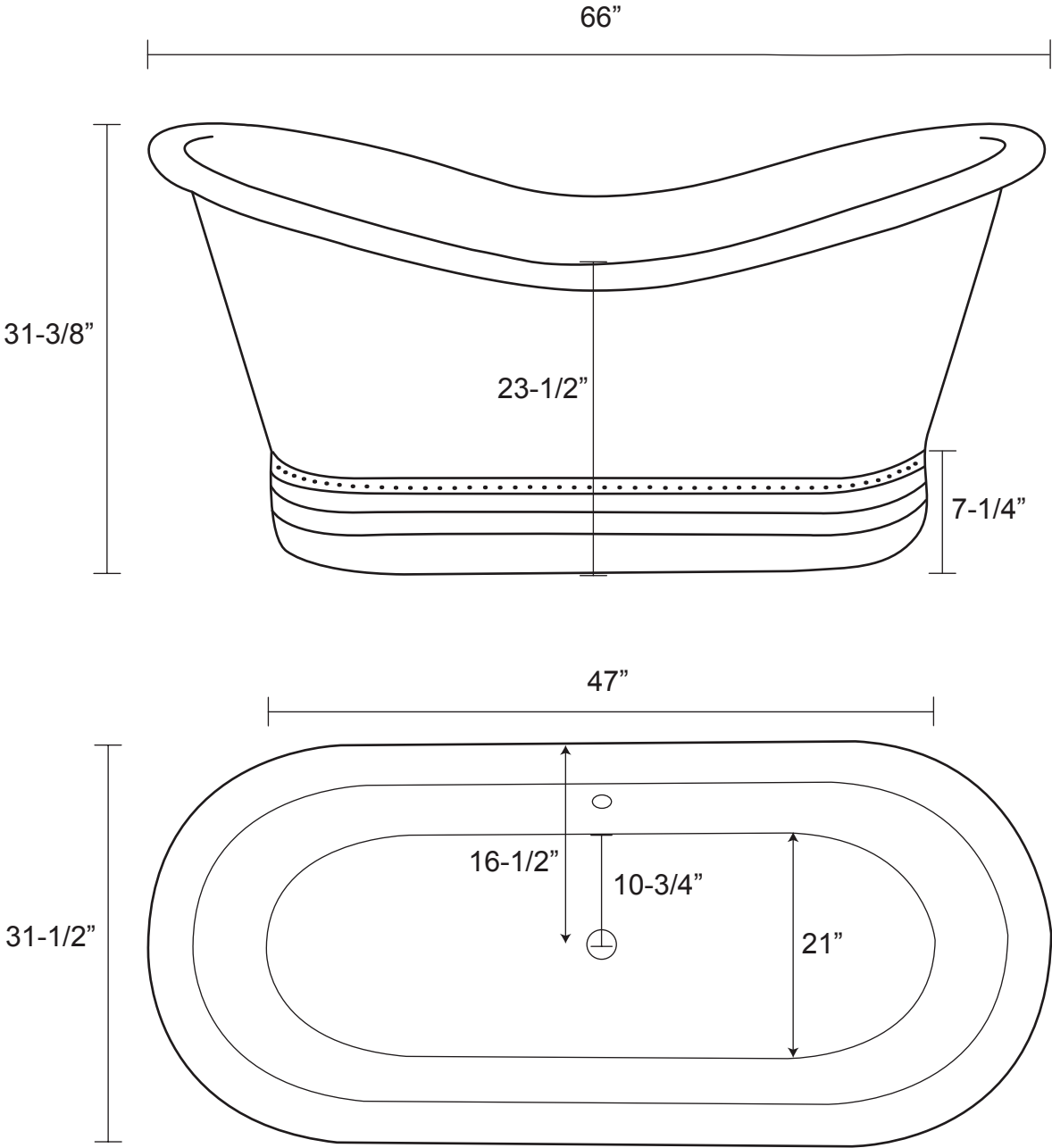
66" Bateau Copper Double Slipper Tub

Hammered Exterior and Interior

Tub Dimensions: 66" L x 31-1/2" W x 31-3/8" H

Water Capacity: 63 Gallons

Tub Weight Uncrated: 170 lbs. Tub Weight Crated: 325 lbs.



Tub rim is 2-1/2" wide.

Overflow hole is 1-5/8" diameter.

Water depth is 14-3/4" to overflow.

Overflow is 19-3/4" from floor.

All measurements are approximate. Measurements may vary +/- 1/2".